



MP 46 S-Type Load Cell



500 kg ... 5 t Type C3

- High quality alloy steel
- Aluminized coated finish for outstanding corrosion resistance
- Hermetically welded seal (IP 67)
- Approved according to OIML R60

Applications

- Mechanical scale conversions
- Suspended vessels
- Ideal for tension applications

Technical Data		C3	
Accuracy class		0.025	%
Minimum dead load	E_{min}	2	% E_{max}
Rated capacity	E_{max}	s. table	
Safe overload	E_U	150	% E_{max}
Destructive load	E_d	> 300	% E_{max}
Minimum LC verification interval $v_{min} = E_{max}/Y$	Y	6,667	
Rated output	C_n	2	mV/V
Tolerance on rated output	d_c	≤ 0.25	% C_n
Zero output signal	S_{min}	≤ 1	% C_n
Repeatability	ϵ_R	≤ 0.012	% C_n
Creep, during 30 min.	d_{cr}	≤ 0.017	% C_n
Temperature effect on S_{min}	$TK_{S_{min}}$	≤ 0.021	% $C_n/10K$
Temperature effect on C	TK_c	≤ 0.011	% $C_n/10K$
Input impedance	R_{IC}	350 ± 7	Ω
Output impedance	R_O	352 ± 3	Ω
Insulation impedance	R_{IS}	> 2,000	MΩ
Recommended supply voltage	B_u	10	V
Maximum supply voltage	U_{max}	15	V

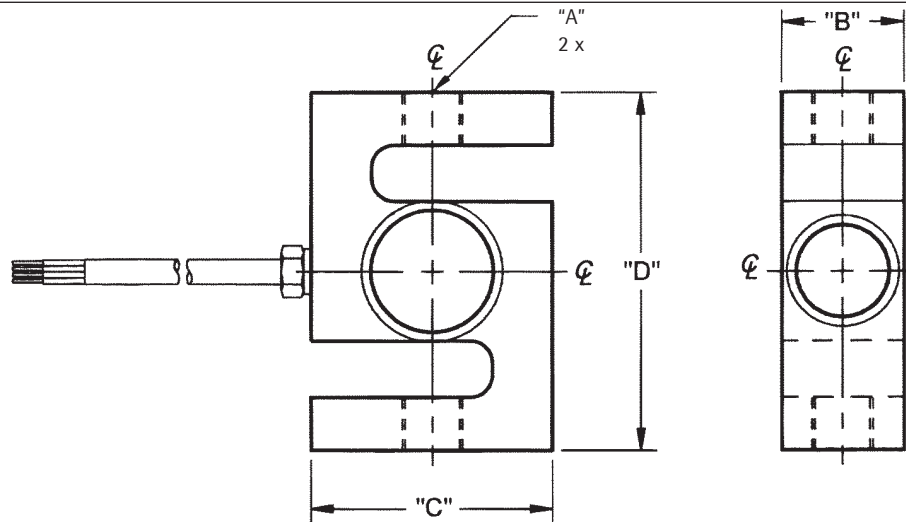
Technical Data

C3

Nominal ambient temperature range	B _T	-10 to +40	°C
Usable ambient temperature range	B _{TU}	-20 to +65	°C
Nominal deflection	S _{nom}	≤ 0.3	mm
Cable	-	6 m, 4 wires with screen	
Protection class	-	IP 67	

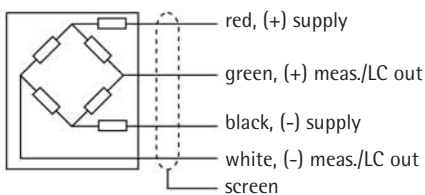
Definitions acc. to VDI/VDE 2637, Technical data and dimension for product description only. Data subject to change without notice.

- Temperature effect on sensitivity and combined error (accuracy class) are combined in such a way that the load cells meet the tolerance envelope of the OIML recommendations R60.
- When selecting load cells for a particular environment, the IP rating should only be used as a guide. Care should be given to the design of the weighing product to protect the load cell.
- The correct mounting of the load cell is essential to obtain optimum performance.



Dimensions all in mm

Capacity	A	B	C	D	Weight	Accessories		
						Type	Description	Order number
500 kg	M12×1.75	24.6	50.5	75.4	1.5 kg			
1 t, 2 t	M20×1.5	24.6	50.5	75.4	1.5 kg	MP46/81	swivel eye for S-type (500 kg)	9408 800 46811
3 t-5 t	M20×1.5	24.6	88.9	120.6	2.5 kg	MP46/82	swivel eye for S-type (1 t...5 t)	9408 800 46821



Order information

Type	Order number	Max. capacity (2 mV/V)
MP46/52 C3	9408 800 46527	500 kg
MP46/13 C3	9408 800 46137	1000 kg
MP46/23 C3	9408 800 46237	2000 kg
MP46/33 C3	9408 800 46337	3000 kg
MP46/53 C3	9408 800 46537	5000 kg

Specifications subject to change without notice.
 Printed in Germany.
 n/sart · C
 Publication No.: HMP2003-e10101
 Order No.: 9498 708 46001
 Version 04.2010

Sartorius Mechatronics T&H GmbH
 Meindorfer Strasse 205
 22145 Hamburg, Germany

Phone +49.40.67960.303
 Fax +49.40.67960.383

info.mechatronics@sartorius.com
 www.sartorius-mechatronics.com