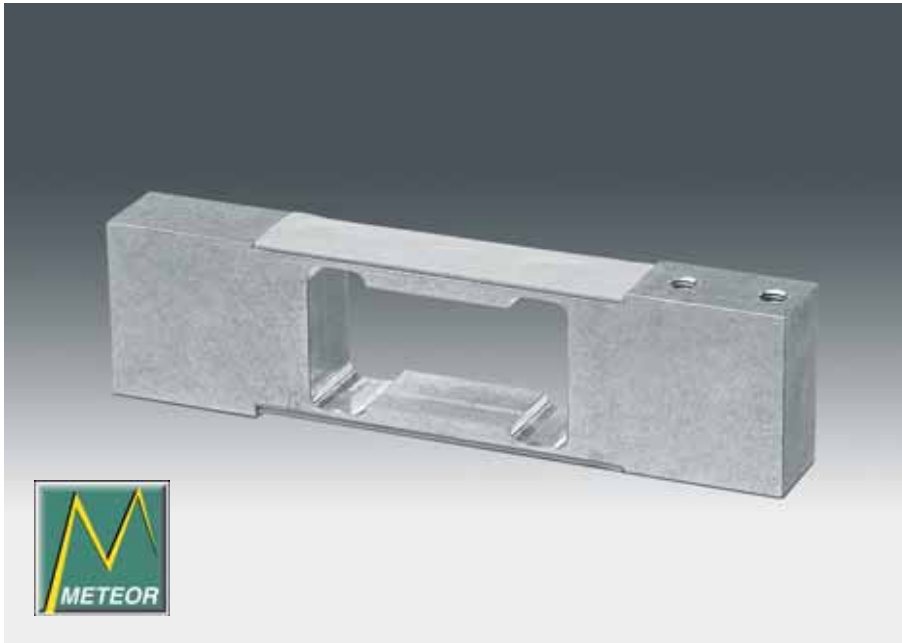




## MP 71 Single Point Load Cell



### 5 kg ... 200 kg

- Aluminium alloy construction
- Compatible with other sources
- Single point 400 mm × 400 mm platform
- Approved according to OIML R60

### Applications

- Bench Scales
- Counting Scales
- Check Weighing Systems

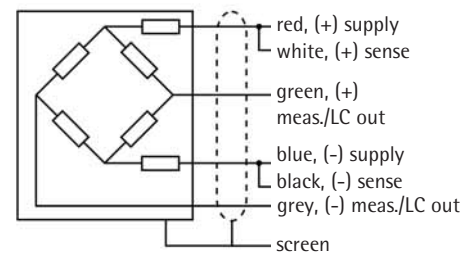
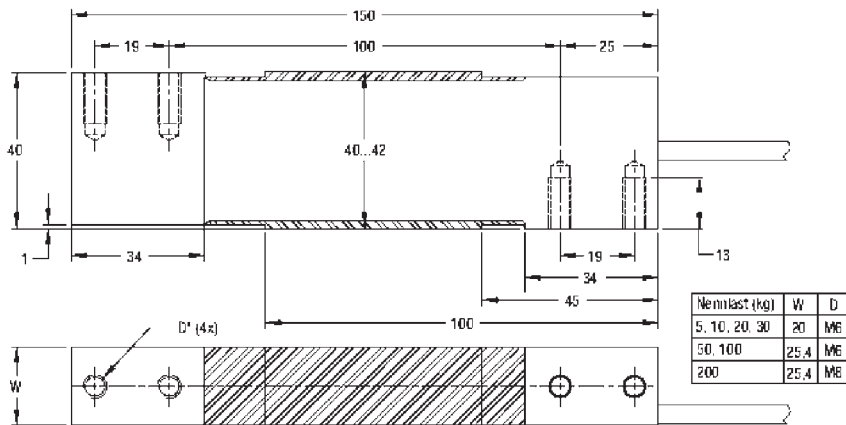
Technical Data		C3MR	
Accuracy class (Combined error)		0.020	% C <sub>n</sub>
Maximum capacity	E <sub>max</sub>	5   10   20   30   50   100   200	kg
Maximum usable load	E <sub>u</sub>	150	% E <sub>max</sub>
Destructive load	E <sub>d</sub>	≥ 300	% E <sub>max</sub>
Safe side load	E <sub>lq</sub>	100	% E <sub>max</sub>
Maximum number of LC intervals	n <sub>LC</sub>	3,000	
Minimum LC verification interval v <sub>min</sub> = E <sub>max</sub>   Y	Y	15,000	
Rated output	C <sub>n</sub>	2.0	mV/V
Tolerance on rated output	D <sub>c</sub>	≤ ± 10	% C <sub>n</sub>
Zero output signal	S <sub>min</sub>	≤ ± 5	% C <sub>n</sub>
Creep, during 30 min.	d <sub>cr</sub>	≤ ± 0.016	% C <sub>n</sub>
Temperature effect on S <sub>min</sub>	TK <sub>Smin</sub>	≤ ± 0.009	% C <sub>n</sub> / 10 K
Temperature effect on C	TK <sub>C</sub>	≤ ± 0.010	% C <sub>n</sub> / 10 K
Input impedance	R <sub>LC</sub>	413 ± 20	Ω
Output impedance	R <sub>0</sub>	350 ± 25	Ω
Insulation impedance (100 V DC)	R <sub>IS</sub>	≥ 5	GΩ
Recommended supply voltage	B <sub>u</sub>	5 ... 15	V
Nominal ambient temperature range	B <sub>f</sub>	-10 ... +40	°C
Usable ambient temperature range	B <sub>Tu</sub>	-20 ... +65	°C

## Technical Data

## C3MR

Nominal deflection	$S_{nom}$	0.56 ( $E_{max} = 5 \text{ kg}$ ); 0.46 ( $E_{max} = 10 \text{ kg}$ ); 0.39 ( $E_{max} = 20 \text{ kg}$ ); 0.38 ( $E_{max} = 30 \text{ kg}$ ); 0.37 ( $E_{max} = 50 \text{ kg}$ ); 0.39 ( $E_{max} = 100 \text{ kg}$ ); 0.48 ( $E_{max} = 200 \text{ kg}$ )	mm
Cable length		1.5	m
Cable type		6 conductor TPE cable (AWG 26), shield grounded	
Sensor material		Aluminium	
Protection class (acc. to IEC 529)		IP67	

The technical data given here serve only as a product description and must not be interpreted as guaranteed characteristics in legal sense.



Dimensions in mm

Wiring diagram

Type	Order Number
MP 71/5kgC3MR	9408 271 07005
MP 71/10kgC3MR	9408 271 07010
MP 71/20kgC3MR	9408 271 07020
MP 71/30kgC3MR	9408 271 07030
MP 71/50kgC3MR	9408 271 07050
MP 71/100kgC3MR	9408 271 07110
MP 71/200kgC3MR	9408 271 07120

## Certificate of Conformity

### MP 71 (optional)

Ex-Zone 2, 22  
II 3G Ex nA II T6  
II 3D Ex tD A22 IP65 T85°C