



sartorius

PR 1713

System Weighing Controller



- Programmable weighing controller (acc. IEC 61131)
- EC type approval certificate as Indicator class III, 5000e
- Integrated PLC functions
- Optional
 - Fieldbus cards: Ethernet, Profibus, Device Net
 - analogue I/O 's
 - digital I/O 's
 - internal Alibi Memory
- Stainless steel multi purpose housing with IP 65
- External PC-keyboard connectable

Profile

The weighing indicator PR 1713/00 has been designed for high precision weighing applications. Beside the standard weighing functions the PR 1713/00 is prepared to communicate with host systems, PLC 's etc., the PR 1713/00 via serial interface, Ethernet or fieldbus options.

Technical Data

Power supply

115/230 V_{AC} 50-60 Hz
max. 19 W /25 V_A

Housing

stainless steel DIN 1.4301 (B.S.304)
Ingress Protection: IP 65

Display

7-digit plus status symbols
text: 2 lines, 20 characters

Load cell input

6-or 4-wire
Load cell supply: 12 V
Impedance: min. 75 Ω,
e.g. 8 load cells with 650 Ω

Interface

Bidirectional serial interface RS232; user selectable protocols: EW Com, remote string, printer, XON XOFF, Jbus, MOD-Bus, Dust

Accuracy

5000e class III acc.to EN 45 501 OIML R 76
min. verification interval 1.2 μV/e
NTEP 10,000 d, class III/IIIL

Linearity

< 0.007%

Resolution (internal):

max. 330,000 div. (internal)

Measuring principle

radiometric integrating A/D converter
conversion time: 50 ms.
update: 100 ms to 2 s
adjustable in 100 ms steps

Input signal range

net range: 2.4 mV to 36 mV
tare range: 0... 33.6 mV

Temperature effects

Live zero T_{K_0} : <0.1 μV /K RTI
Span: $T_{K_{spn}}$ <0.006 %/10 K

Environmental conditions

Temperature range

Operation: -10° C to +40° C
Storage: -40° C to +70° C

Electrical safety

IEC 61010-1

Vibration

IEC 60068

Electrostatic discharge

IEC 61000-4-2

Interference

IEC 61000-4-4

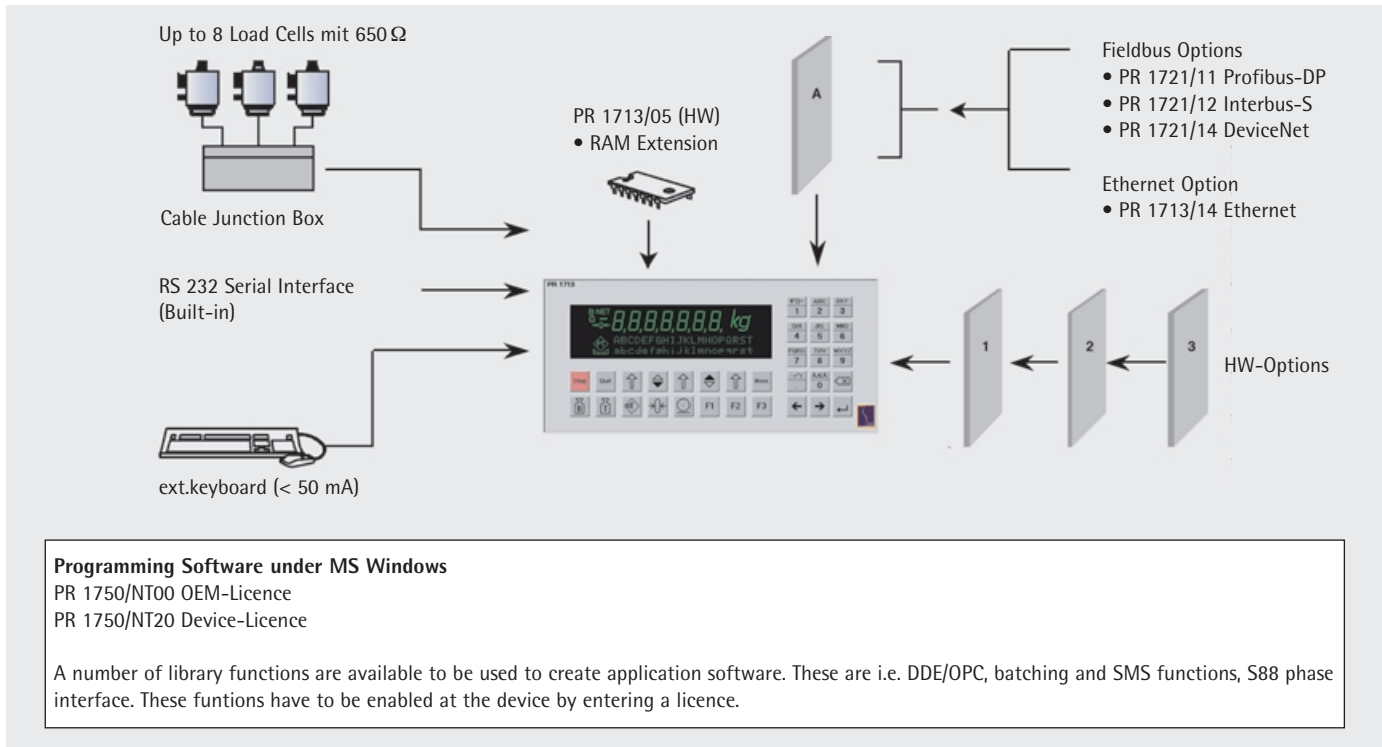
Electromagnetic field

IEC 61000-4-3

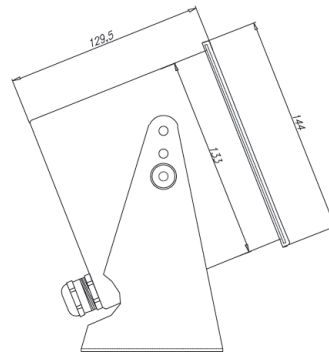
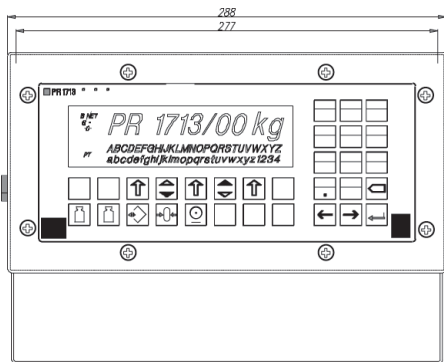
Radio noise suppression

EN 55011

Functional diagram PR 1713



Instrument dimensions



Order information

Type	Description	Order numbers	Type	Description	Order numbers
PR 1713/00	System Weighing Controller	9405 117 13001	PR 1713/01	System Weighing Controller 24 V	9405 117 13011
Hardware Options					
PR 1713/04	Serial Interface (RS 232/485)	9405 317 13041	PR 1713/15	4 dig. In-/4 dig. Output (Opto/Relais)	9405 317 13151
PR 1713/05	RAM Extension 1 MB	9405 317 13051	PR 1713/17	6 dig. In-/8 dig. Output (Opto)	9405 317 13171
PR 1713/06	Analog Output	9405 317 13061	PR 1721/11	Profibus-DP Interface	9405 317 21111
PR 1713/07	1 analog In-/4 analog Output	9405 317 13071	PR 1721/12	Interbus-S Interface	9405 317 21121
PR 1713/08	BCD Interface	9405 317 13081	PR 1721/14	DeviceNet Interface	9405 317 21141
PR 1713/12	4 dig. In-/4 dig. Output (Opto)	9405 317 13121	PR 8001/01	X5-PowerTools	9405 380 01011
PR 1713/13	DIOS Master	9405 317 13131	PR 8901/81	Internal Alibi Memory (Licence)	9405 389 01811
PR 1713/14	Ethernet Interface	9405 317 13141			

Specifications subject to change without notice.
Printed in Germany.
n/sart • C
9498 717 13021
Version 06.2004

Sartorius Hamburg GmbH
Meiendorfer Straße 205
22145 Hamburg, Germany
Tel. +49.40.67960.303
Fax +49.40.67960.383
www.sartorius.com