



sartorius

MP 25

Digital Process Transmitter



- Full Digital Signal Processing with up to 20,000 divisions internal Resolution
- Supplies up to 4 Load Cells of 350 Ω
- Analogue output 0/4... 20 mA, 0/2..10 V, fully galvanically isolated from supply
- Direct calibration and configuration via front keys without weights
- Configuration also via PC-Engineering Tool MP 25/10
- Supply voltage 230 V (24 V Option)
- Protection class IP 30, DIN-Rail or wall mounting

Product profile

The MP 25 series of Digital Process Transmitters is designed to combine reliable weight information from process vessels with extremely easy operation and setup. A wide range of strain gauge load cells can be connected and output is provided in the common 4... 20 mA signal format. Direct access to all configuration and operation levels via the front keys. The MP 25/10 engineering tool provides the same level of access via a comfortable PC-Program.

Description

The transmitter is designed for the use in typical control cabinets. It combines convenient DIN rail mounting with the option for direct wall mounting in a very simple way. Multiple instruments can be easily lined up in the cabinet and the full galvanical isolation of input circuit and the analogue output from the supply make the instrument especially easy and safe to integrate.

The direct-access front end interface and the optional PC-Tool MP 25/10 make the instrument ideal for all applications where ease of use and a simple but effective data acquisition of weight values is required. The built-in Zero-set function allows for simple adaptation of Zero to changing dead loads. The standard input control circuit and the limit/alarm function can be combined and provide in conjunction with the built-in relay simple direct process control.

Pass word protection

User selectable pass code to prevent unauthorised access to parameters or zero set function.

Input circuit control

Continuous control of input circuit and input signal range.

Zero set function

To suppress changing dead loads via the front keys or an external switch.

Input signal filter

Intelligent first order low pass filter to suppress unwanted signal deviation caused by external disturbances. Adjustable time constant and tolerance band. Signal changes that exceed the set tolerance band will by-pass the filter directly for speedy response.

Technical Data

Input

Sensor input circuit and sensor supply galvanically isolated from supply voltage and output circuit.

Load cell supply

12 V_{DC}, max. 150 mA (= 80 Ω)
4-wire-circuit

Three user selectable input ranges:

-3... 23 mV, -11... 69 mV, 0... 160 mV
Resolution: appr. 20,000 div.

Smallest possible signal range

(for digitising error: ≤ 0.1 %, ± 1d):
2.5 mV, 9 mV, 15 mV

Measuring cycle:

100 ms

Output

Range: 0/4... 20 mA, 0/2... 10 V
Output circuit fully galvanically isolated from input and supply.
Current and voltage output are available simultaneously (max. deviation: ≤ ± 0,5 %).

Non-Linearity: ≤ 0.25 % f.s.d.

Repeatability: ≤ 0.03 % f.s.d.

Resolution: 13 bit (9000 div.)

Temperature effect:

Zero: ≤ 0.04 % /10K

Span: ≤ 0.06 % /10K

Response time: appr. 600 ms
(for input change from 10 % to 90 %)

Load: 0... 700 Ω (optimal 350 Ω)

Load influence: ≤ 0.1 % /100 Ω

Resp. > 2k Ω (for Voltage output)

Alarm output

configurable Relay for input circuit control and/or limit detection (user selectable)
Power rating: max. 250 V_{AC} 1 A (min. 5 V, 0.1 A)

Display

4- digit, LCD 7 mm, display range -9999... 0... 9999

LED green: on/off indication

LED red: indicates input control or active limits, flashes during active zero set function

Serial Interface

RS 232C with active adapter for the Engineering Tool MP25/10

Supply

90... 265 V_{AC} 50/60 Hz, 7.7 V_A

18... 32 V_{DC} / 24 V_{AC} (Option)

Environmental conditions

Nominal temperature range: 0... 55° C

Operation: -10 ... +60° C

Storage: -20... +70° C

Humidity: 90 % RH, non-condensing

Vibration acc. to DIN IEC 68-2-6/Fc and DIN 68.2.29/Eb

Conformity

Instrument complies with EN 50081-1, EN 50082-2 and EN 61010-1 (VDE 0411-1)

Miscellaneous

Dimensions: 93 x 111 x 40 mm

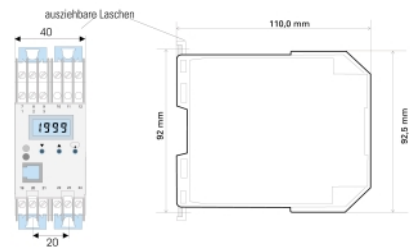
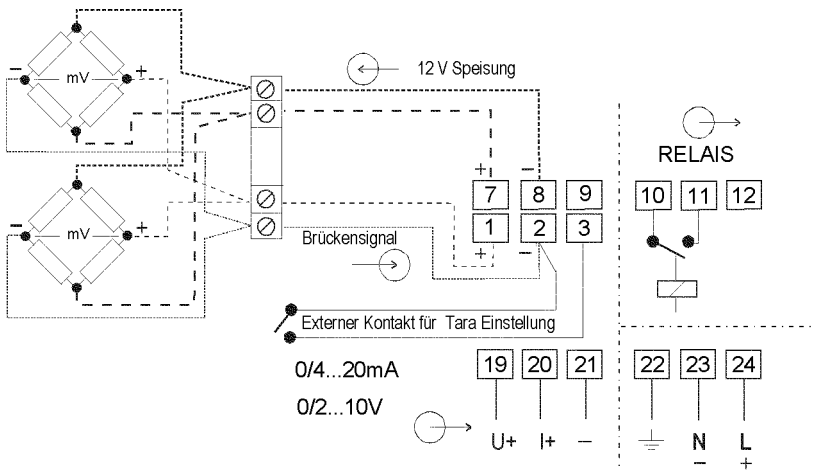
Protection: housing /terminals IP30

Mounting: 35 mm DIN rail (DIN46277) or

Wall mounting

All electrical connections via screw terminals for 2.5 mm² max.

Weight: 0.23 kg net



Order Information

Type	Description	Order numbers
MP 25/00	Digital Process Transmitter	9408 800 25001
MP 25/01	Digital Process Transmitter (24 V-Version)	9408 800 25011
MP 25/10	Engineering Tool	9408 800 25101

The technical data given here serve only as a product description and must not be interpreted as guaranteed characteristics in the legal sense.

Specifications subject to change without notice.

Printed in Germany.

n/sart • C

9498 708 25001

Version 06.2004

Sartorius Hamburg GmbH
Meiendorfer Straße 205
22145 Hamburg, Germany
Tel. +49.40.67960.303
Fax +49.40.67960.383
www.sartorius.com